

Manual room thermostat HC User Guide



Welcome

Thank you for buying the product! Your new thermostat will provide years of reliable service. Using this manual thermostat HC will provide more uniform comfort in your home through the seasons. Please read this manual for complete instructions on installing and operating your thermostat. If you require further assistance, please feel free to contact directly with Reventon Group Sp. z o.o.

In the box you will find

- manual thermostat HC
- user guide

Service

We offer the warranty of 24 months from the sales day.

Technical data

Type of temperature sensor: gas membrane
 Temperature range: 10 - 30°C
 Accuracy: $\pm 1^\circ\text{C}$
 Power supply: 220 ~ 240 V / 50 ~ 60 Hz
 Inductive current load: 3 A
 Shell material: ABS (fireproof)
 Dimensions: 83 x 83 x 38 mm
 Ambient temperature: $t = -10 - 60^\circ\text{C}$, $\phi = 85\%$
 Degree of protection: IP 30

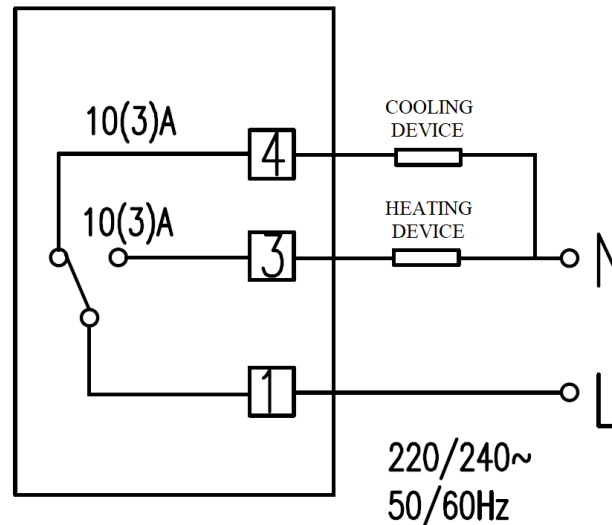
About device

Manual thermostat HC is easily and precise way to contain required temperature in the room. It turns on / off device, respectively, depending on the temperature difference between real and set by knob temperature. Simple design guarantees reliability of the device.

Features of the thermostat

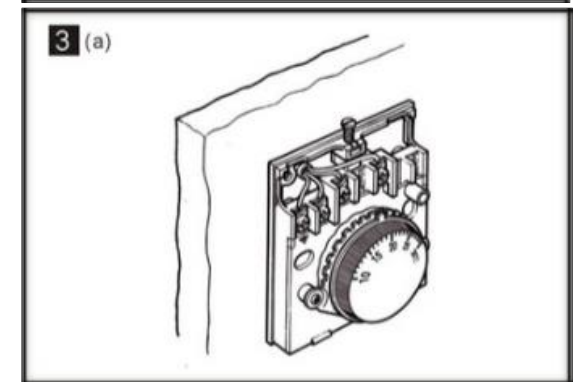
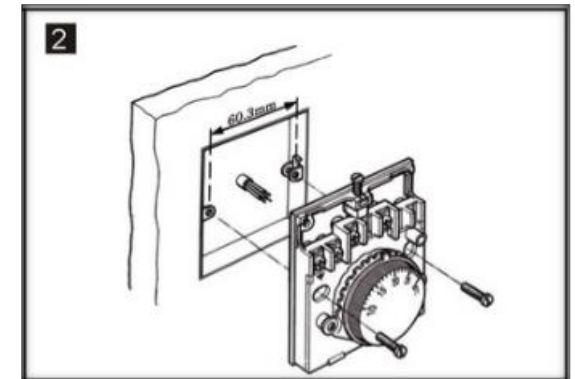
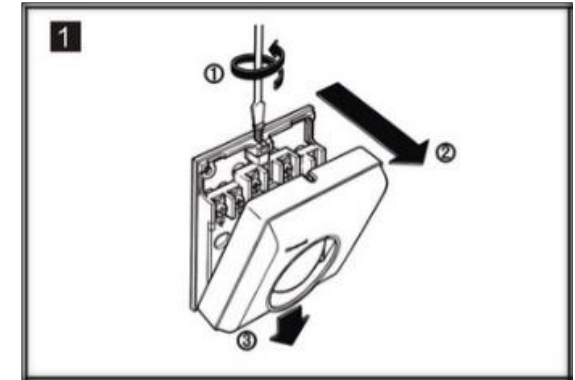
- Modern design
- Simple operation and reliability
- Precise comfort control keeps temperature within $\pm 1^\circ\text{C}$ of the level you set
- Cooperation with heating and cooling devices
- Easy installation

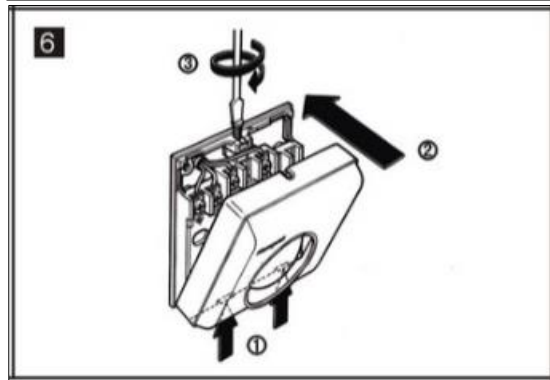
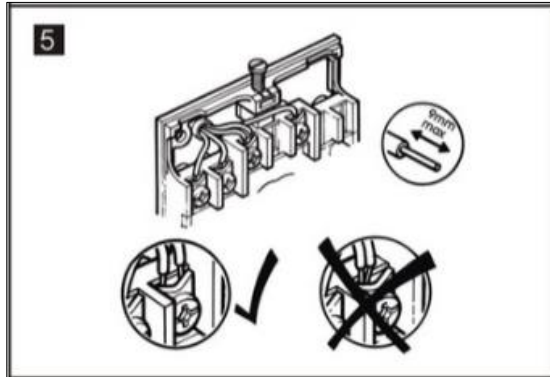
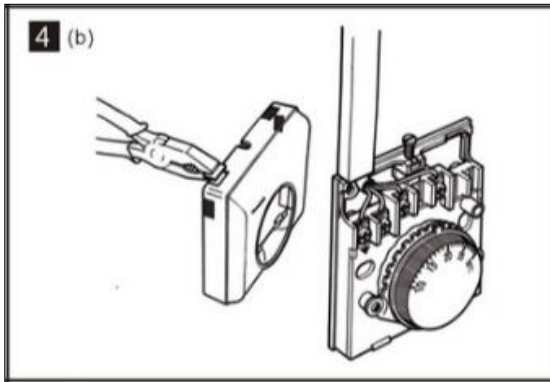
Wiring diagram



Installing

It is recommended to install device according to the following points:





⚠ WARNING: Please arrange the professional technician to install this product according to installation drawing and instruction.

RISK OF ELECTRICAL SHOCK: Disconnect power supply before making electrical connection. Contact with components carrying hazardous voltage can cause electrical shock and may result in severe personal injury or death.